

Seeing without compromise.



ZEISS OPMI pico

zeiss.com/OPMI-pico



Seeing beyond



ZEISS OPMI pico

Simple, compact, proven

OPMI® pico from ZEISS, the most frequently sold ZEISS surgical microscope worldwide, is the trusted choice among doctors. It makes details and fine structures clearly visible. The system enables you to better visualize regions of interest and consistently provide your patients with high-quality examinations and treatments.

ZEISS OPMI pico's cost-effective LED illumination meets your standards and needs. The complete integration of the light source makes it easier to clean the system.

Ergonomic seating enables users to conveniently maintain an upright working posture.

ZEISS OPMI pico also features camera options to facilitate patient consultation and documentation, depending on the specific needs in your practice.

The compact and easy-to-use ZEISS OPMI pico offers solid support for even the most demanding applications – whether in restorative dentistry, endodontics, implantology, or periodontics:



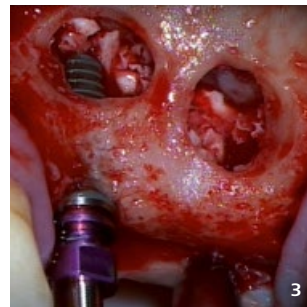
Restorative dentistry

Quickly detect enamel and dentine fractures as well as approximal caries. High-precision views enable accurate assessment of crown edges, preparation levels, and veneers.



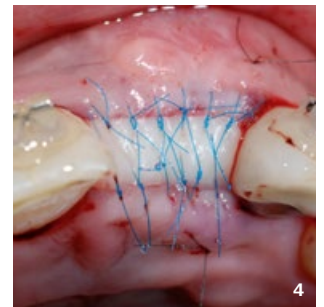
Endodontics

Visualize fine anatomical structures and details of root canals and isthmuses for a clear view right down to the apex.



Implantology

Conduct high-precision examinations and implant treatments quickly and confidently. Reliably detect important anatomical structures.



Periodontics

Benefit of support for soft-tissue evaluation and management to assist healing, low scarring, and improved cosmetic outcomes.

Better view

ZEISS OPMI pico enables you to visualize high-contrast, true-color images – the key to improving the quality of examination and treatment. With ZEISS OPMI pico, optics and illumination go hand in hand.



View the whole mouth

The Varioskop® 100 objective lens allows you to adjust the focal length over a range of 200 mm to 300 mm to focus on the whole oral cavity in the vertical axis – without moving the microscope.



Long-lasting LED

For color rendition and light that strongly resembles natural daylight. It is a very cost-effective and virtually maintenance-free light source. The low heat output requires minimal ventilation and generates little noise.



Full overview of fine details

ZEISS OPMI pico delivers high-quality images at every magnification level.

Better ergonomics

While treating your patients you can sit comfortably in an upright, ergonomically correct position for a more relaxed working day.



Comfortable working conditions and improved vision

Over 75% of dentists found that using a dental microscope had a positive effect on their neck and back pain.⁵ Working in a comfortable posture allows you to fully focus on your patient and their procedure, and increases your productivity.⁶

A dental microscope can offer other ergonomic benefits, such as improved vision and reduced eye fatigue, common in dental professionals and corresponding to increasing age.⁷⁻⁹

Adjust the ZEISS OPMI pico to your demands and not vice versa

Reduce or increase the distance for the required treatment field as needed with the patented multi-link design of Foldable Tube f170/f260. With its long reach, this highly flexible system easily accommodates the needs of the user and different positions of the patient.



Better education

Real-life pictures are very convincing. ZEISS OPMI pico can accommodate a full HD video camera with recording and streaming, allowing you to present patients with high-definition material to explain procedures.



Benefits of an integrated full HD camera

- Complete function integration
- Co-observation and documentation
- Simplified cleaning of the housing
- Images and videos recorded onto a shared network drive or a USB device
- Capture of full HD images during recording or from a recorded video

Benefits of live viewing and streamings

- Video livestream into the network
- Smart Recording: retroactively record video that occurred in the previous 30 seconds

Better integration

A highly compact instrument with a small footprint, ZEISS OPMI pico fits seamlessly into virtually any practice workflow environment. Simply plug in the cable, switch on the power, and the ZEISS OPMI pico is ready for use.

Complete integration of technology and design in the suspension arm for a well-balanced architecture

Functional elements such as the video control console, HD video camera, cables, light sources, and light guides are completely integrated into the stand to avoid workspace clutter.



Technical data

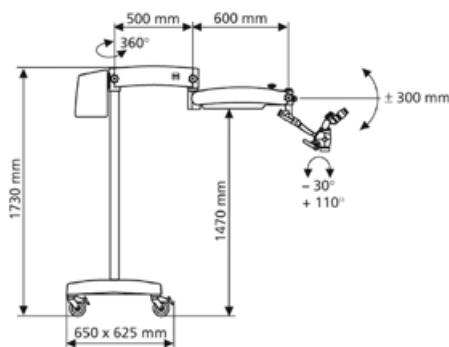
S100/OPMI pico from ZEISS

		Packages		
		Startup	Relax	Documentation
Magnification system	Manual 5-step apochromatic magnification changer	●	●	●
Eyepieces	12.5x widefield eyepieces	●	●	●
	without reticle	●	●	●
	with reticle	□	□	□
	10x widefield eyepieces	□	□	□
	without reticle	□	□	□
	with reticle	□	□	□
Tube	180° tiltable tube offers ergonomic posture by adjusting the tiltable angle	●	□	●
Objective lens	Varioskop 100, focusable working distance 200–300 mm	○	○	○
	f=250 mm with fine focus	○	○	○
	f=300 mm with fine focus	○	○	○
Illumination system	LED with daylight characteristic for excellent color rendition, virtually maintenance-free	●	●	●
	Orange filter to prevent curing of composites	●	●	●
	Green filter for better contrast of tissue with high blood supply	●	●	●
User interface	Handgrips at the back, individually adaptable at the push of a button by rotating	●	●	●
Asepsis	Sterilizable asepsis caps for the controls of the microscope, the handgrips as well as for the interpupillary distance adjustment of the 180° tiltable tube	●	●	●
Ergonomics	Foldable f170/f260 tube with the PROMAG function delivers up to 150% magnification on the spot	□	●	□
	Angled optics with rotatable dovetail mount for binocular tubes	□	●	□
Communication	Integrated video camera (full HD 1080p) with live streaming and recording functionality (incl. USB stick, remote control, DVI-DVI video cable for connection to an HD monitor)	□	□	●

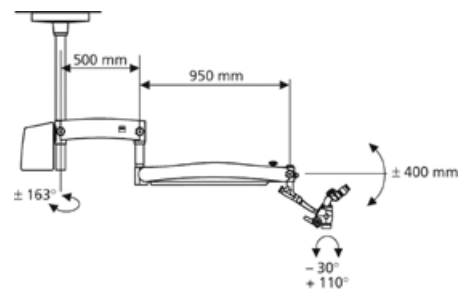
● Basic configuration ○ Package options □ Add-ons

Suspension system options

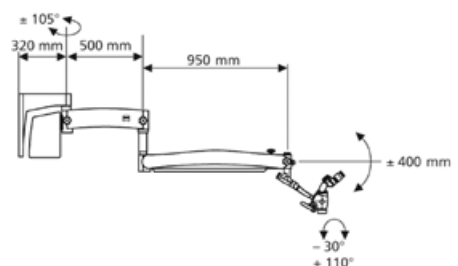
Floor stand



Ceiling mount



Wall mount (wallplate)



Workplace integration

Further space-saving suspension system options are available for the Centro carrier system and specified treatment units.

Application images courtesy of:

¹ Dr. Claudia Cia Worschech, Sao Paulo, Brazil

² Dr. José Aranguren Cangas, Madrid, Spain

³ Dr. Behnam Shakibaie, Tehran, Iran

⁴ Dr. Rino Burkhardt, Zurich, Switzerland

⁵ Zaugg B et al. Influence of magnification tools on the recognition of artificial
preparation and restoration defects (in German).

Schweiz Monatsschr Zahnmed 2004;114:890-896. [Abstract]

⁶ Linger W. Advantages for patients under the dental microscope.

Available from: <https://www.drlinger.com/blog/dental-microscope>

⁷ Perrin P, et al. Visual acuities of dentists in their respective clinical conditions.

Clin Oral Investig 2014;19:2055-2058.

⁸ Eichenberger M, et al. Visual acuity of dentists under simulated clinical conditions.

Clin Oral Investig 2013;17:725-729.

⁹ Yadav VS, et al. Periodontal microsurgery: Reaching new heights of precision.

J Indian Soc Periodontol 2018;22(1):5-11.



Carl Zeiss Meditec AG

Goeschwitzer Strasse 51–52

07745 Jena

Germany

www.zeiss.com/opmi-pico

www.zeiss.com/med/contacts

en-INT_30_010_01201 Printed in Germany. CZ-11/2023 International edition: Only for sale in selected countries.

The contents of the brochure may differ from the current status of approval of the product or service offering in your country. Please contact our regional representatives for more information.

Subject to changes in design and scope of delivery and due to ongoing technical development. OPMI, Varioskop and VisionGuard are either trademarks or registered trademarks of Carl Zeiss Meditec AG or other companies of the ZEISS Group in Germany and/or other countries.

© Carl Zeiss Meditec AG, 2023. All rights reserved.